



KNEE/ELBOW THERAPY WRAP

TARGETED RELIEF FOR KNEE/ELBOW
PAIN + RECOVERY

100% DRUG-FREE RELIEF FROM PAIN

Vibrations serve as sensory distractions, disrupting pain signals constantly traveling from your body to your brain and replacing them with gentle massaging sensations.

CUSTOMIZED THERAPY MODES

Three distinct levels of vibration to help provide the perfect level of relief.

SAFE NON-INVASIVE VIBRATION THERAPY

Unlike TENS, vibration therapy can be used by anyone, including those who may be pregnant or with pacemakers.

PROVEN RESULTS

A recent study by the Pain Management Center in conjunction with Brigham and Women's Hospital and Harvard Medical School found Intellinetix vibration therapy may significantly reduce pain among those living with arthritis. Vibration therapy may also reduce inflammation as well as improve joint flexibility and strength.

Patent pending.

USE FOR

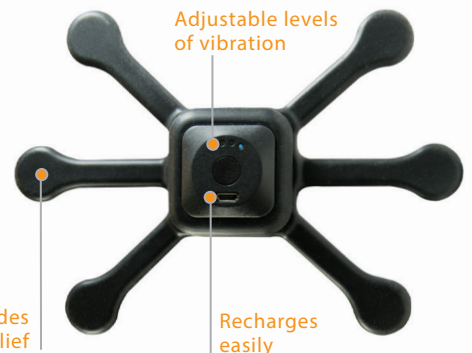
- Pain relief and recovery for knee and elbow
- Pre- and post-workout to increase circulation, and reduce muscle soreness
- Joint Discomfort
- Arthritis Pain
- Muscle Pain



Adjustable straps hold wrap in place

HUB snaps in here

HUB PAIRS WITH INTELLINETIX WRAP FOR TARGETED RELIEF



Adjustable levels of vibration

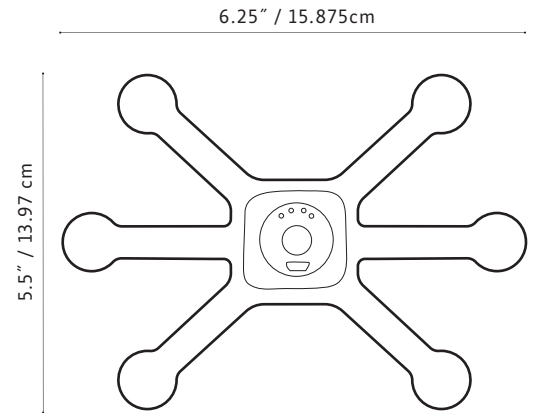
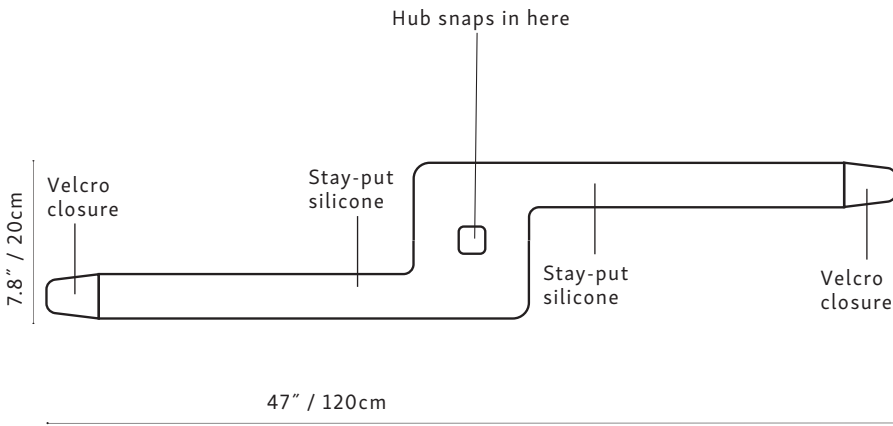
Vibration nodes for targeted relief

Recharges easily



ITEM 07235 SIZE UNIVERSAL / UNISEX

KNEE/ELBOW THERAPY WRAP PRODUCT INFORMATION SHEET



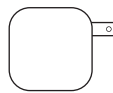
MADE IN CHINA Patents pending.

MATERIAL CONTENT

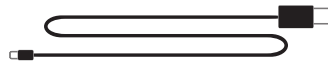
Cover: 92% Cotton, 8% Spandex

- Boxed unit weight: 1 lb. 7 oz.
- Not made with natural rubber latex
- Prop 65 non-compliant (lithium-ion battery)
- Not submersible in water
- Spot clean, air dry
- Functional while charging
- Solar charger compatible
- Hook and loop closure

5W CHARGE BLOCK



USB MICRO B



HANG TAB
1.875" x 1"
47.625 x 25.4 mm

